



RPE Srl
Leader in Fluid Management Control

100%
MADE IN ITALY

Filter/check Cartridge

**Solutions for coffee machine, water
dispenser, appliances, medical equipment**

For a control of the fluids at high temperatures

www.rpesrl.it

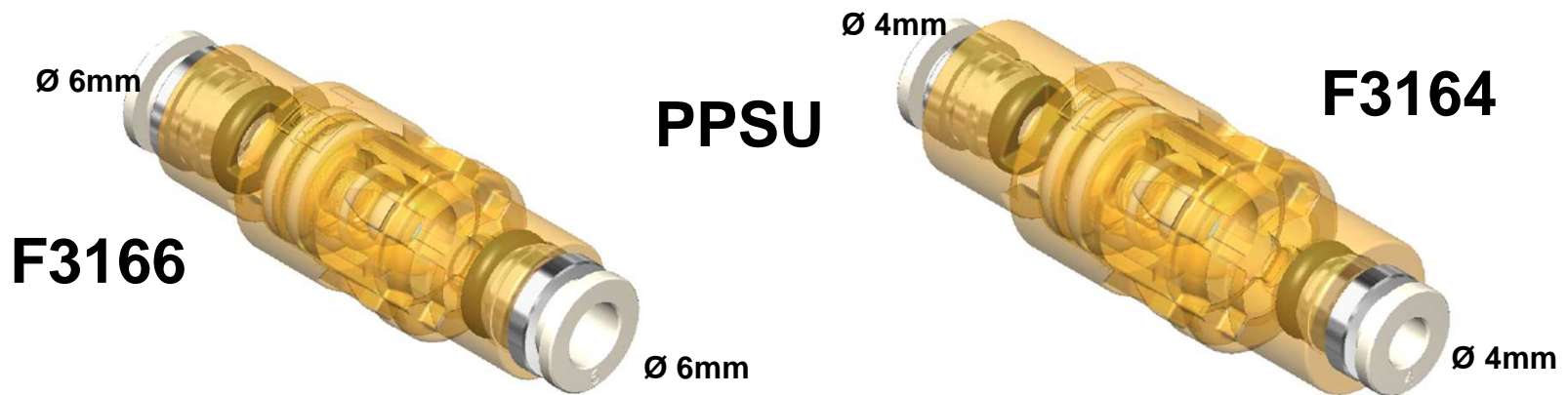


Filter/check Cartridge

100%
MADE IN ITALY

2

version available:





Filter/check Cartridge

PPSU

100%
MADE IN ITALY

3



WORKING SPECIFICATIONS

- Working pressure: 0,05-10 bar
- Room temperature: 0 - 140°C
- Fluid temperature: 0 -140°C
- Flow direction: unidirezionale
- Nominal diameter: DN4



PHYSICAL CHARACTERISTICS

- Valve body: PPSU
- Gaskets: LSR, EPDM, FKM
- Filter wire: AISI 304
- Spring: AISI 316
- Assembly: compressione

INSTALLATION

- Any position



Filter/check Cartridge

PA

100%
MADE IN ITALY

4



WORKING SPECIFICATIONS

- Working pressure: 0,05-10 bar
- Room temperature: 0 - 90°C
- Fluid temperature 0 -90°C
- Flow direction: unidirezionale
- Nominal diameter: DN4



PHYSICAL CHARACTERISTICS

- Body: PA66 FV30%
- Gaskets: LSR, NBR, FKM
- Filter wire: AISI 304
- Spring: AISI 316
- Assembly: locked clips

INSTALLATION

- Any position



Filter/check Cartridge

100%
MADE IN ITALY

5



Hydraulic connections

INLET:	Quick coupling Ø6 mm
	Quick coupling Ø4 mm
OUTLET:	Quick coupling Ø6 mm
	Quick coupling Ø4 mm



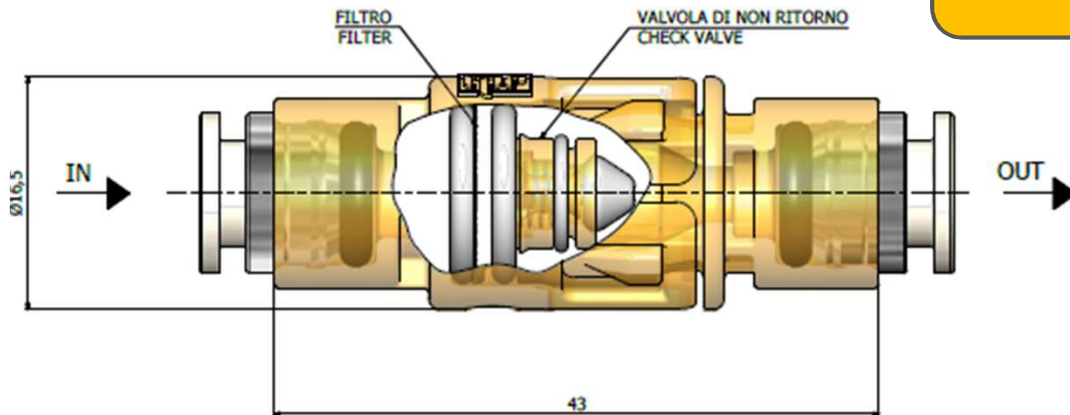


Filter/check Cartridge

100%
MADE IN ITALY

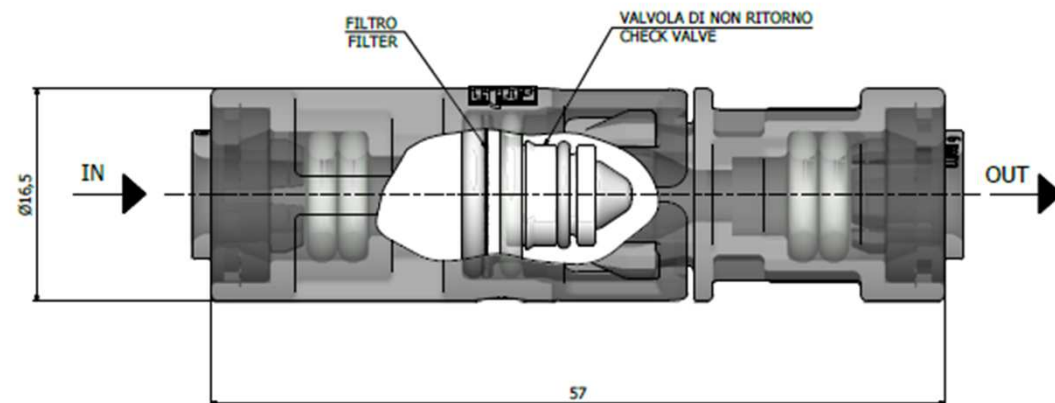
6

very compact



Suitable for use at
high temperatures

Suitable for
food



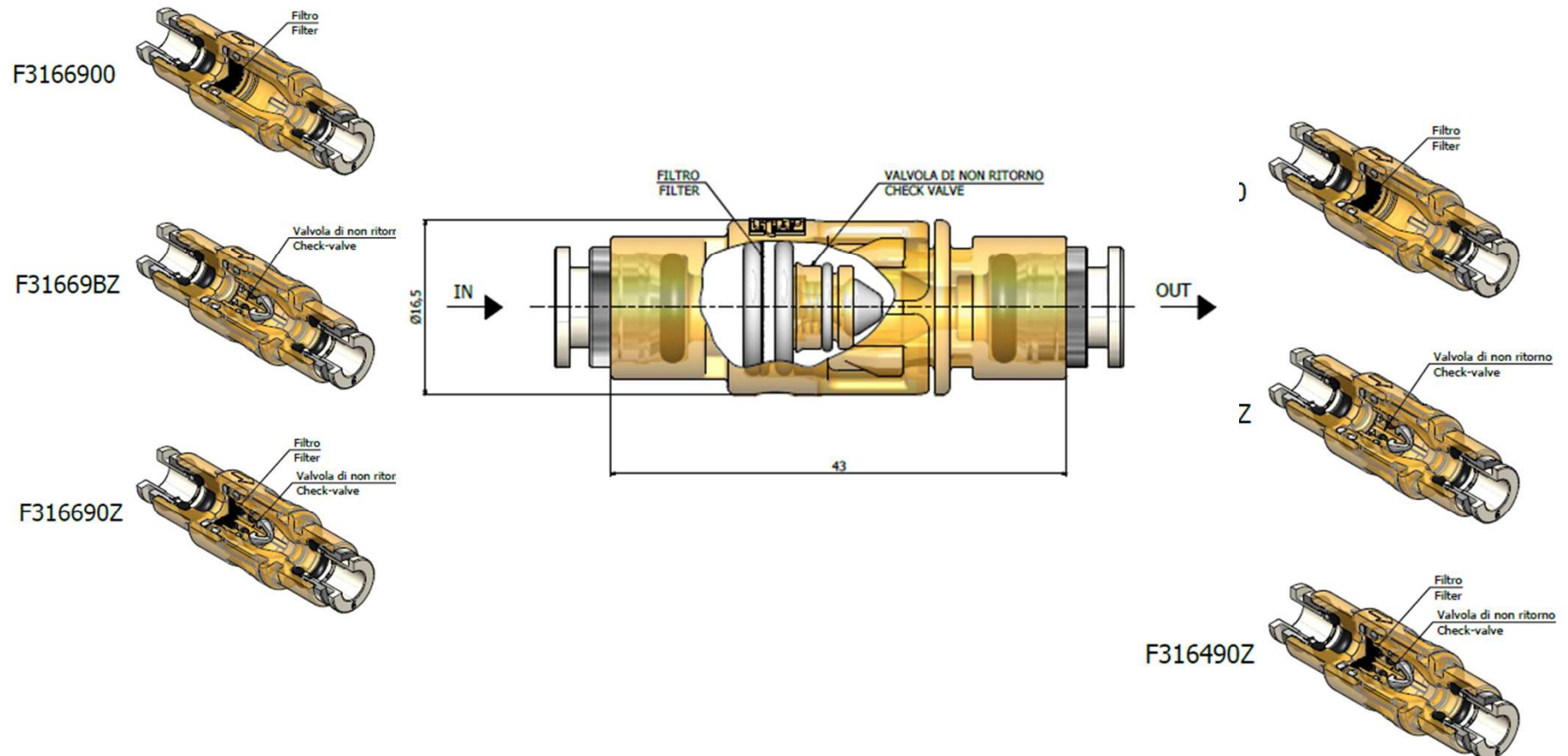


Filter/check Cartridge

100%
MADE IN ITALY

7

Solutions:
Filter + check - only filter - only check



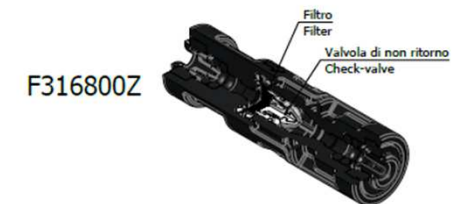
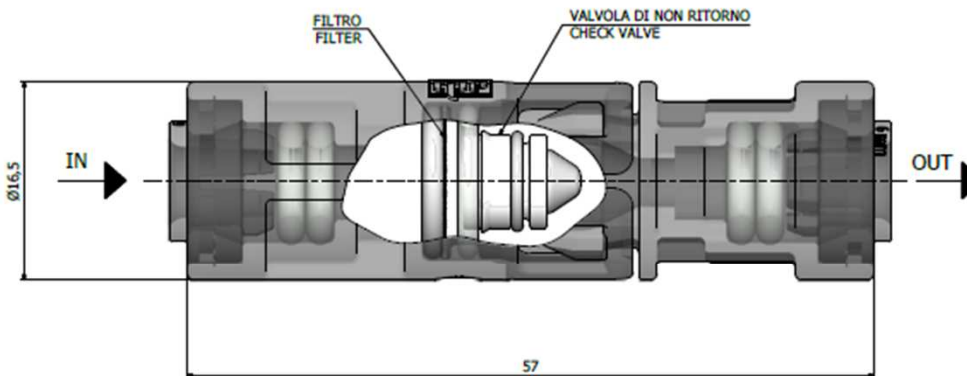
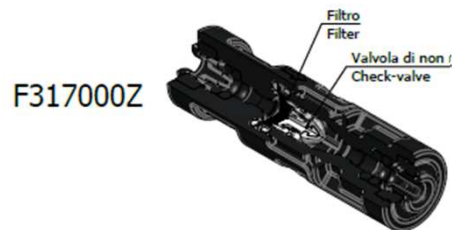


Filter/check Cartridge

100%
MADE IN ITALY

8

Solutions:
Filter + check - only filter - only check





Filter/check Cartridge

100%
MADE IN ITALY

9





Filter/check Cartridge market

100%
MADE IN ITALY

10





NOTHING GREAT HAS EVER BEEN DONE WITHOUT PASSION

11

Thanks for your attention



www.rpesrl.it