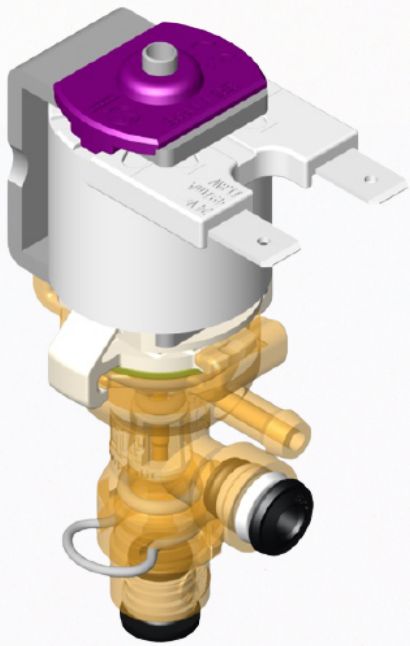




NEW PRODUCT PREVIEW

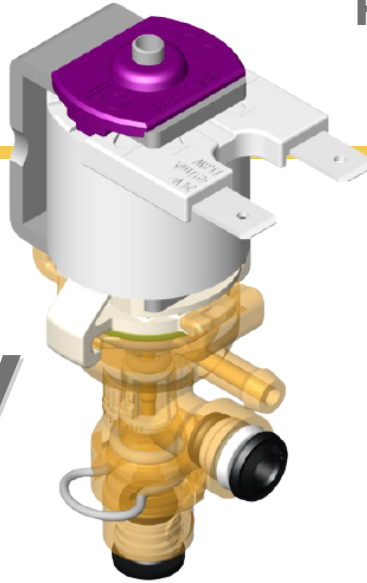
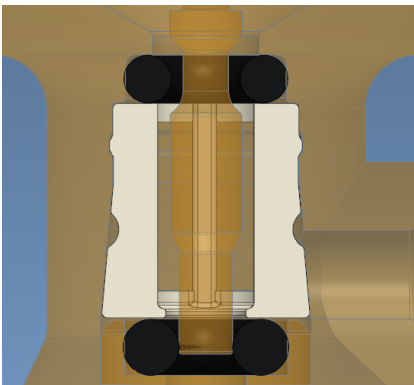


3/2 Way Series



R4



NEW PRODUCT
PREVIEW**R4**
3/2 Way**SELF CLEANING
SYSTEM**

The R4 3/2 way solenoid valve has been developed for the professional and commercial coffee machines. Manufactured in PPSU to withstand **temperatures up to 140°C** capable of working with hot water and steam.

This valve has a rated working pressure of 0 to 18 bars allowing this valve to be extremely flexible and ensuring excellent performance.

The new R4 is available in **two configurations**: with and without an integrated PWM board, which provides non-stop (duty cycle 100%) operation.

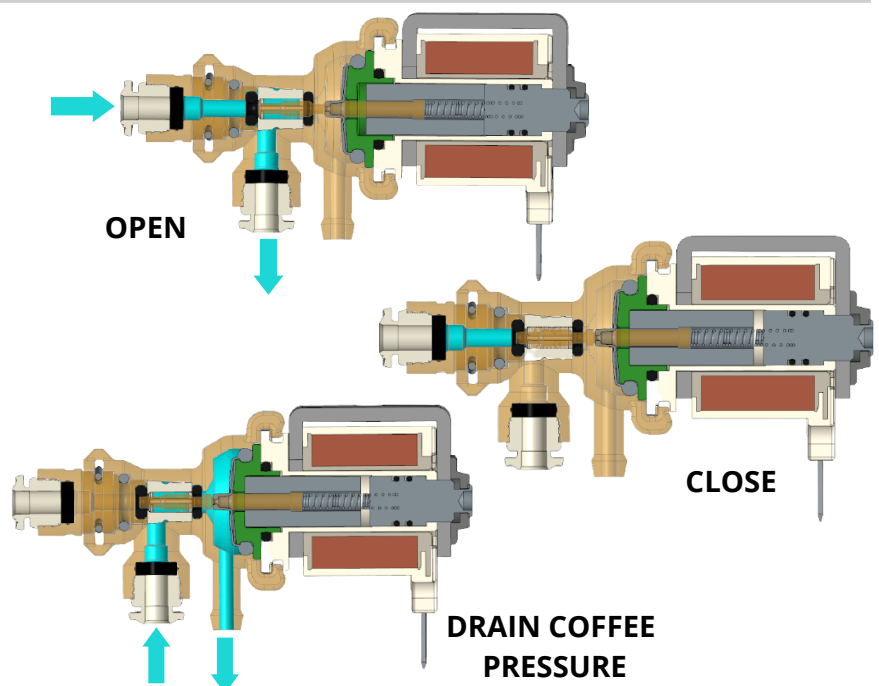
Compared to a traditional 3/2 way valve, the new R4 has two innovative features, already patented in the RPE steam range: the **self-cleaning mechanism** and a **fluid separation system**.

Both these features guarantee superior performances, especially in terms of longer life cycles.

APPLICATIONS

The **fluid separation technology** prevents the liquid from getting in contact with the valve's core during the dispensing and pressure release phase, avoiding possible deposits.

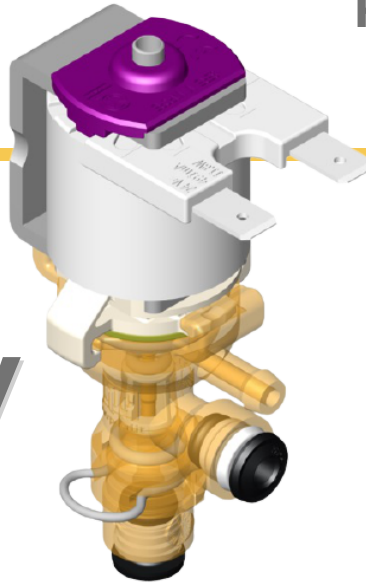
In addition, thanks to the **self-cleaning system** the special pin works into the internal orifice, removing any scale residues in each dispensing.





NEW PRODUCT PREVIEW

R4 3/2 Way



SPECIFICATIONS

WORKING CHARACTERISTICS

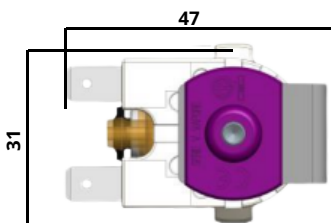
- WORKING PRESSURE: 0 - 18 bar
- MAX BACK PRESSURE: 10 bar
- ROOM TEMPERATURE: 60°C
- FLUID TEMPERATURE: 140°C
- FLOW DIRECTION: UNIDIRECTIONAL
- NOMINAL DIAMETER: 2 mm
- ED DUTY CYCLE: 100% WITH PWM

PHYSICAL CHARACTERISTICS

- VALVE BODY: PPSU
- DIAPHRAGM: LSR
- CORE/SPRING: STAINLESS STEEL

CONNECTIONS

- INLET/OUTLET: QUICK FITTINGS 4 mm
- VENT: HOSE CONNECTOR 5 mm
- ELECTRICAL CONNECTIONS: 6.3X0.8mm FASTON



HIGHLIGHTS

- Easy installation
- Medium separation
- Self cleaning system
- Corrosion resistant
- Extremely compact
- Increased service life
- Minimal heat loss
- Fluid and Steam up to 140°C
- Use of NSF materials in accordance with NSF
- Continuous Duty Cycle with integrated PWM

