

RPE srl
elettrovalvole

 100% MADE IN ITALY

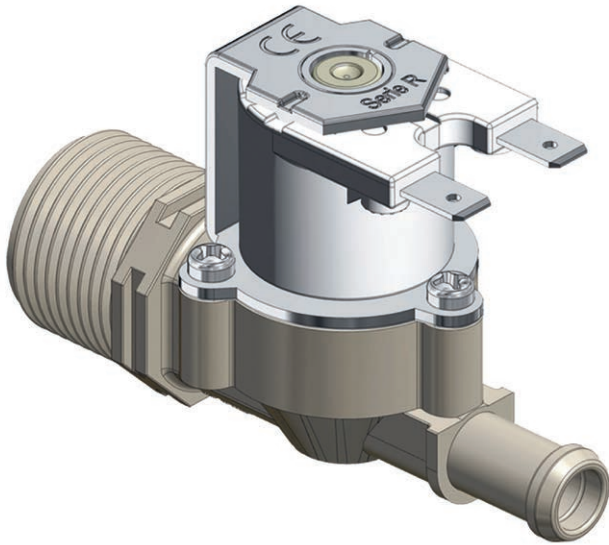
MEDICAL EQUIPMENT



***40' + years' experience in the industry
a standard of excellence in the international market for solenoid valves***



R SERIES SINGLE



WORKING CHARACTERISTICS

Working pressure:	0,2 ÷ 10 bar
Room temperature:	0 ÷ 60°C
Fluid temperature:	25°C; 60°C; 90°C
Duty cycle:	ED 100%; ED 60% (90°C)
Flow direction:	Unidirectional
Nominal diameter:	DN 8 mm
Elect.Pilot/Control:	Latching; NC; NO

PHYSICAL CHARACTERISTICS

Valve body:	PA 6,6 30% fiber glass
Gasket:	EPDM; NBR; Silicone
Core:	Stainless steel
Spring:	Stainless steel
Assembly:	With screws for inspection

COMPLIANCE



KTW
W270 Materials



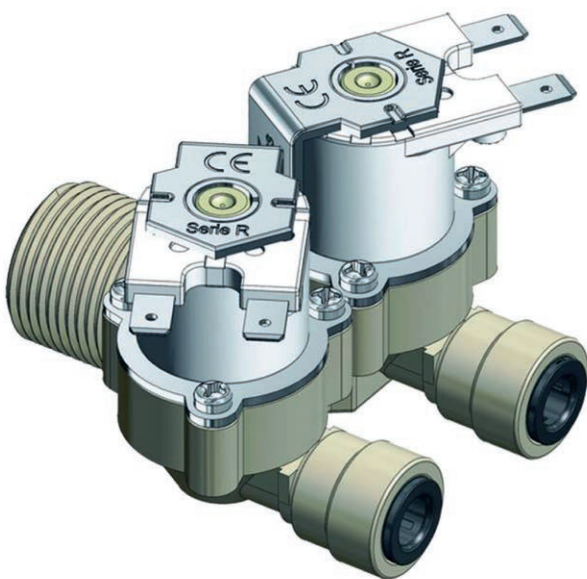
GB CHINA
Standard compliant



* See official listing (www.nsf.org) to identify which models are NSF Certified



R SERIES DOUBLE



WORKING CHARACTERISTICS

Working pressure:	0,2 ÷ 10 bar
Room temperature:	0 ÷ 60°C
Fluid temperature:	25°C; 60°C; 90°C
Duty cycle:	ED 100%; ED 60% (90°C)
Flow direction:	Unidirectional
Nominal diameter:	DN 8 mm
Elect.Pilot/Control:	Latching; NC; NO

PHYSICAL CHARACTERISTICS

Valve body:	PA 6,6 30% fiber glass
Gasket:	EPDM; NBR; Silicone
Core:	Stainless steel
Spring:	Stainless steel
Assembly:	With screws for inspection

COMPLIANCE



KTW
W270 Materials

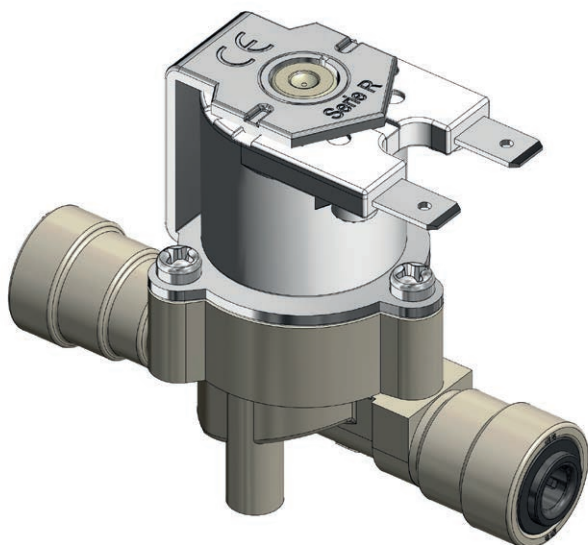


GB CHINA
Standard compliant



* See official listing (www.nsf.org) to identify which models are NSF Certified

R SERIES MINI



WORKING CHARACTERISTICS

Working pressure:	0,2 ÷ 10 bar
Room temperature:	0 ÷ 60°C
Fluid temperature:	25°C; 60°C; 90°C
Duty cycle:	ED 100%; ED 60% (90°C)
Flow direction:	Unidirectional
Nominal diameter:	DN 8 mm, 10 mm
Elect.Pilot/Control:	Latching; NC; NO

PHYSICAL CHARACTERISTICS

Valve body:	PA 6,6 30% fiber glass
Gasket:	EPDM; NBR; Silicone
Core:	Stainless steel
Spring:	Stainless steel
Assembly:	With screws for inspection

COMPLIANCE



KTW
W270 Materials



GB CHINA
Standard compliant



* See official listing (www.nsf.org) to identify which models are NSF Certified

R SERIES SELF-LOCKING FILTER



WORKING CHARACTERISTICS

Working pressure:	0 ÷ 10 bar
Room temperature:	Tu 60°C
Flow direction:	Unidirectional
Filtration:	131 µ (114 mesh) 168 µ (86 mesh) 237 µ (64 mesh) 307 µ (49 mesh)

PHYSICAL CHARACTERISTICS

Body:	PA 6,6 30% fiber glass
Cap:	PA 6,6 30% fiber glass
Gasket and O-Ring:	NBR; LSR
Assembly:	With screws for inspection

COMPLIANCE



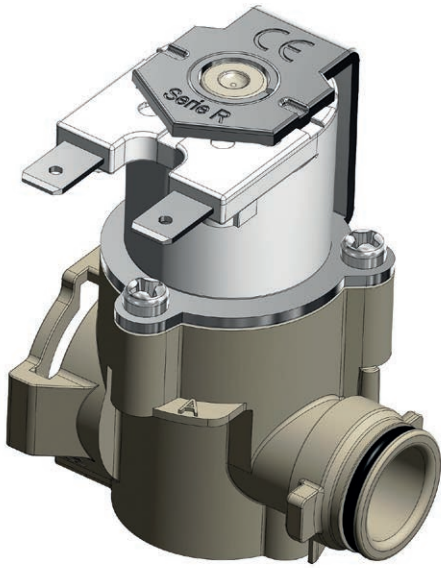
KTW
W270 Materials



* See official listing (www.nsf.org) to identify which models are NSF Certified



R SERIES UNIVERSAL



WORKING CHARACTERISTICS

Working pressure:	0,2 ÷ 10 bar
Room temperature:	0 ÷ 60°C
Fluid temperature:	25°C; 60°C; 90°C
Duty cycle:	ED 100%; ED 60% (90°C)
Flow direction:	Unidirectional
Nominal diameter:	Ø 11 mm
Elect.Pilot/Control:	Latching; NC; NO

PHYSICAL CHARACTERISTICS

Valve body:	PA 6,6 30% fiber glass
Gasket:	EPDM; NBR; Silicone
Core:	Stainless steel
Spring:	Stainless steel
Assembly:	With screws

COMPLIANCE



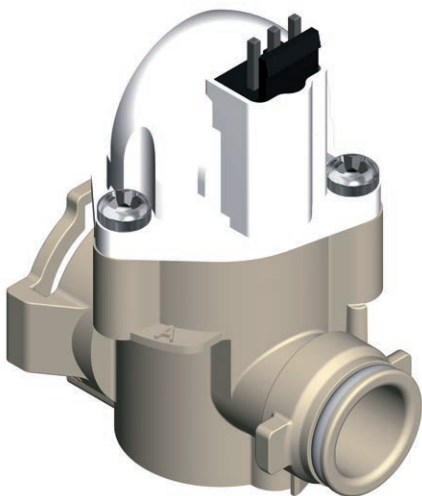
KTW
W270 Materials



* See official listing (www.nsf.org) to identify which models are NSF Certified



R SERIES UNIVERSAL FLOWMETER



WORKING CHARACTERISTICS

Working pressure:	0 ÷ 10 bar
Room temperature:	0 ÷ 60°C
Fluid temperature:	0 ÷ 60°C
Flow direction:	Unidirectional
Flow (L/min):	0,1-3,6 / 0,5-7

PHYSICAL CHARACTERISTICS

Body:	Acetal (POM)
Valve body:	PA 6,6 30% fiber glass
Assembly:	With screws for inspection

COMPLIANCE

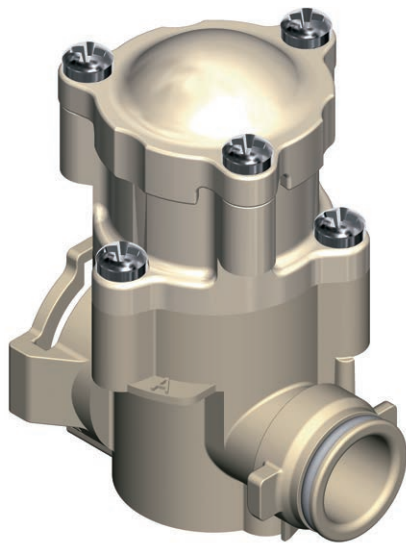


KTW
W270 Materials



* See official listing (www.nsf.org) to identify which models are NSF Certified

R SERIES UNIVERSAL PRESSURE REDUCER



WORKING CHARACTERISTICS

Working pressure:	0 ÷ 10 bar
Room temperature:	0 ÷ 60°C
Fluid temperature:	0 ÷ 60°C
Flow direction:	Unidirectional
Outlet pressure:	0,5 bar / 1,2 bar / 1,5 bar 2 bar / 3 bar / 4 bar

PHYSICAL CHARACTERISTICS

Valve body:	PA 6,6 30% fiber glass
Diaphragm:	EPDM + textile coupled
Spring:	Stainless steel
Assembly:	With screws

COMPLIANCE



KTW
W270 Materials

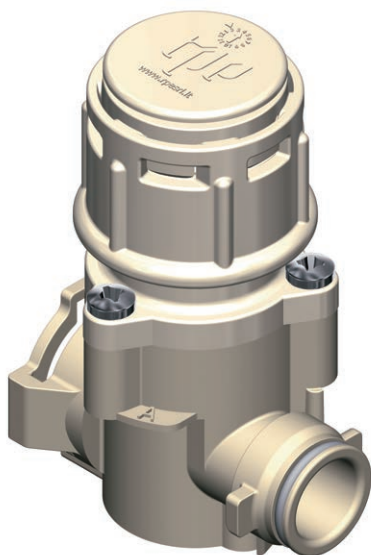


WRAS
ON GOING APPROVED PRODUCT



* See official listing (www.nsf.org) to identify which models are NSF Certified

R SERIES UNIVERSAL FILTER



WORKING CHARACTERISTICS

Working pressure:	0 ÷ 10 bar
Room temperature:	0 ÷ 60°C
Flow direction:	Unidirectional
Filtration:	131 µ (114 mesh) 168 µ (86 mesh) 237 µ (64 mesh) 307 µ (49 mesh)

PHYSICAL CHARACTERISTICS

Filter body:	PA 6,6 30% fiber glass
Cap:	PA 6,6 30% fiber glass
Gasket:	Silicone
Filter Mesh:	Stainless Steel
Assembly:	With screws for inspection

COMPLIANCE



KTW
W270 Materials



WRAS
ON GOING APPROVED PRODUCT



* See official listing (www.nsf.org) to identify which models are NSF Certified



TD SERIES DOUBLE DISPENSER



WORKING CHARACTERISTICS

Working pressure:	0 ÷ 10 bar / 0 ÷ 9 bar / 0 ÷ 7 bar
Room temperature:	0 ÷ 60°C
Fluid temperature:	0 ÷ 90°C
Flow direction:	Unidirectional
Nominal diameter:	Ø1.5 / Ø2.0 / Ø2.5 mm
Elect.Pilot/Control:	Direct opening - NC

PHYSICAL CHARACTERISTICS

Valve body:	PA 6,6 30% fiber glass
Gasket:	EPDM - LSR
Core:	Stainless steel
Spring:	Stainless steel
Assembly:	Seeger ring

COMPLIANCE



NSF
Materials

WRAS
Materials



TD SERIES TRIPLE DISPENSER



WORKING CHARACTERISTICS

Working pressure:	0 ÷ 10 bar / 0 ÷ 9 bar / 0 ÷ 7 bar
Room temperature:	0 ÷ 60°C
Fluid temperature:	0 ÷ 90°C
Flow direction:	Unidirectional
Nominal diameter:	Ø1.5 / Ø2.0 / Ø2.5 mm
Elect.Pilot/Control:	Direct opening - NC

PHYSICAL CHARACTERISTICS

Valve body:	PA 6,6 30% fiber glass
Gasket:	EPDM - LSR
Core:	Stainless steel
Spring:	Stainless steel
Assembly:	Seeger ring

COMPLIANCE



NSF
Materials

WRAS
Materials



CARTRIDGE F31



WORKING CHARACTERISTICS

Working pressure:	0,05 ÷ 10 bar
Room temperature:	0 ÷ 90°C
Fluid temperature:	0 ÷ 90°C
Flow direction:	Unidirectional
Nominal diameter:	DN3

PHYSICAL CHARACTERISTICS

Body:	PA 6,6 30% fiber glass
Gasket:	LSR, NBR
Filter wire:	AISI 304
Spring:	AISI 316
Assembly:	Blocked clip

COMPLIANCE



Reg EU 1935/04

NSF
Materials

WRAS
Materials

MICROVALVE SERIES DIRECT ACTING



WORKING CHARACTERISTICS

Working pressure:	0 ÷ 1 bar
Room temperature:	0 ÷ 60°C
Fluid temperature:	0 ÷ 25°C
Flow direction:	Unidirectional
Nominal diameter:	Ø 1.5 mm
Elect. Pilot / Control:	Direct opening

PHYSICAL CHARACTERISTICS

Valve Body:	POM
Core:	Stainless steel
Spring:	Stainless steel

COMPLIANCE

KTW
W270 Materials



WRAS
ON GOING APPROVED PRODUCT



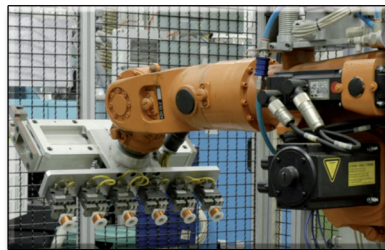
* See official listing (www.nsf.org) to identify which models are NSF Certified



100%

MADE IN ITALY

Nothing great has ever been done without passion



 **RPE s.r.l.**

Leader in Fluid Management Control

Via S. Ambrogio, 3 - 22070 Carbonate (CO) - Italy
Tel. +39 0331 832515 - Fax +39 0331 83250 - customer-care@rpesrl.it

www.rpesrl.it